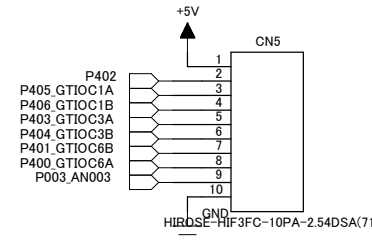
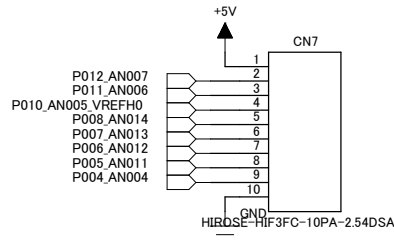
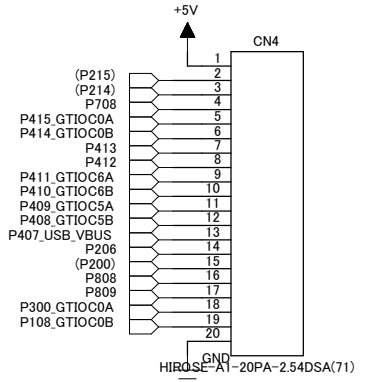
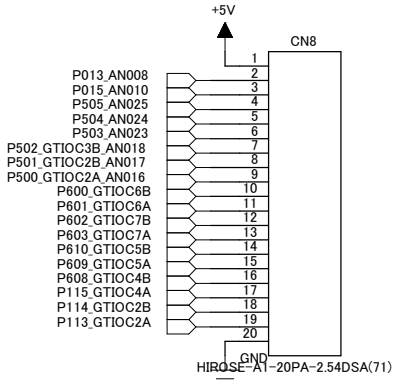
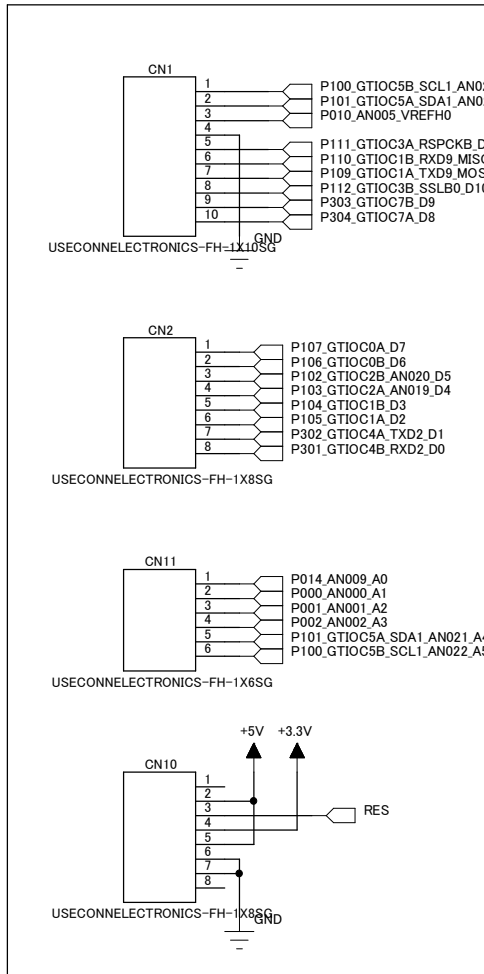


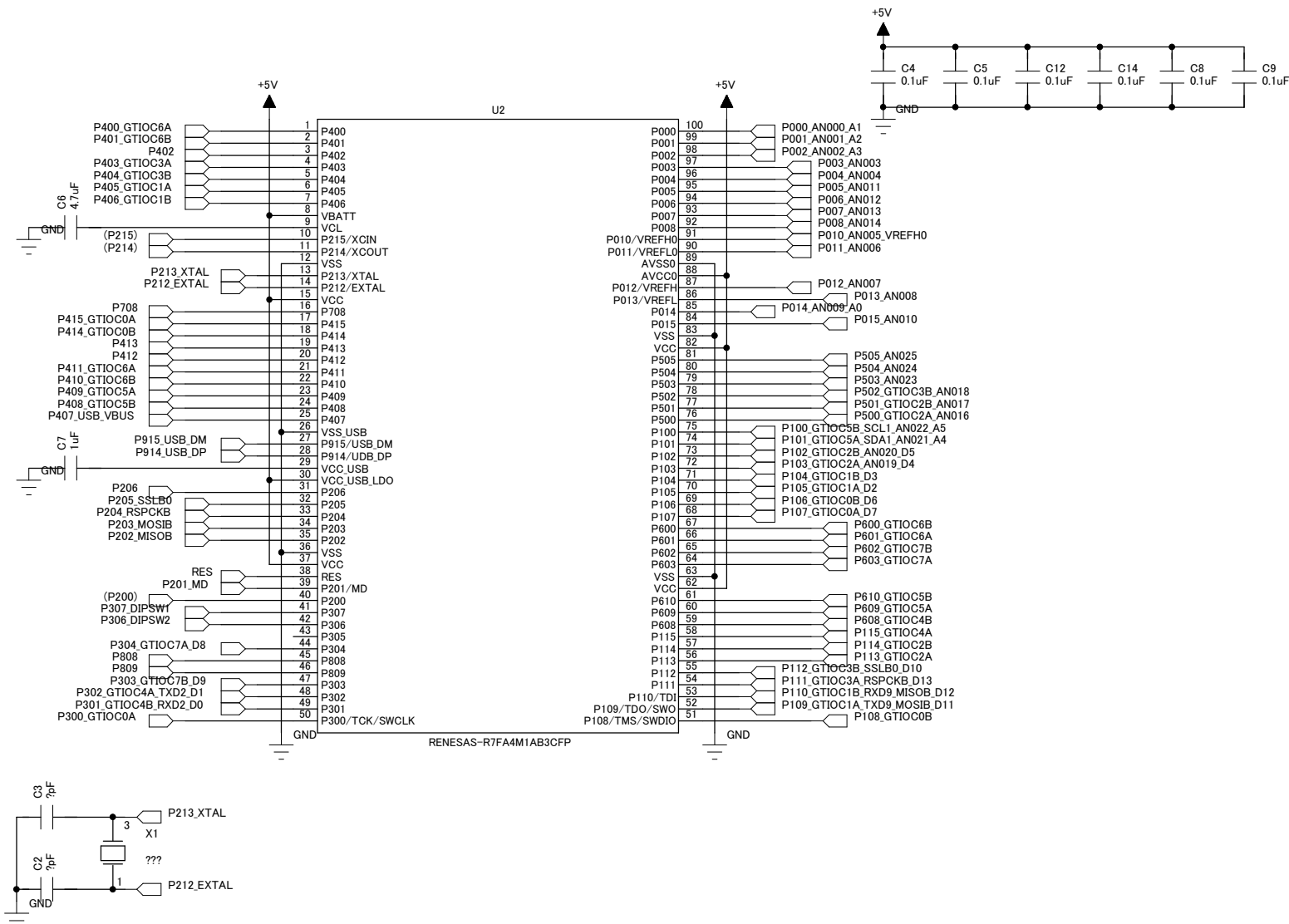
Arduino互換コネクタ



- HO1 ORIGINAL-M3
- HO3 ORIGINAL-M3
- HO4 ORIGINAL-M3
- HO2 ORIGINAL-M3

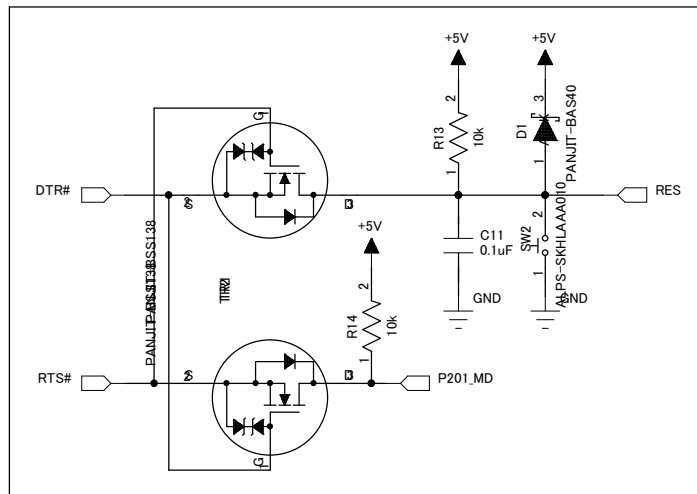
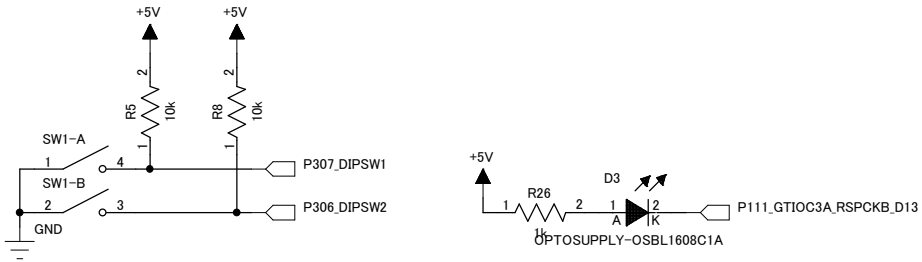
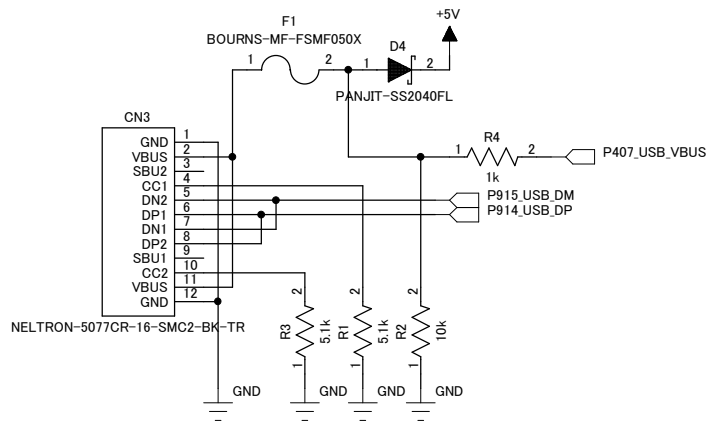
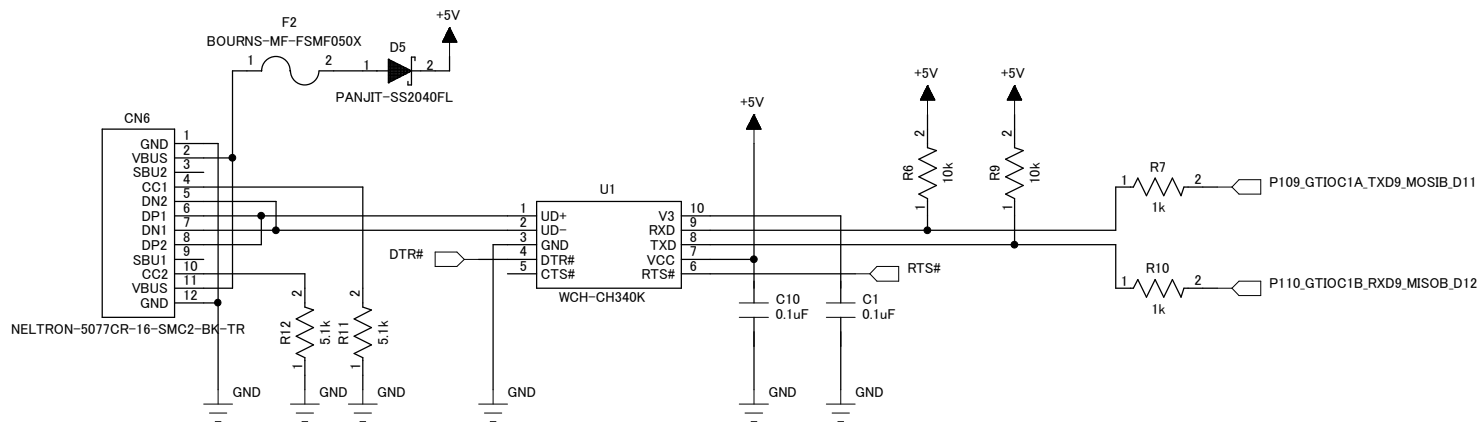
LOGO1
RENASAS-LOGO-20.0X3.1-0.05

COMPANY: TAKUMI-ENGINEERING		
TITLE: RMC-RA4M1		
SHEET: 1 OF 5	DRAWING NO: 0001	REV: 2.0



RENASAS-R7FA4M1AB3CFP

COMPANY: TAKUMI-ENGINEERING		
TITLE: RMC-RA4M1		
SHEET: 2 OF 5	DRAWING NO: 0001	REV: 2.0



NodeMCU回路

COMPANY: TAKUMI-ENGINEERING		
TITLE: RMC-RA4M1		
SHEET: 3 OF 5	DRAWING NO: 0001	REV: 2.0

6

5

4

3

2

1

D

D

C

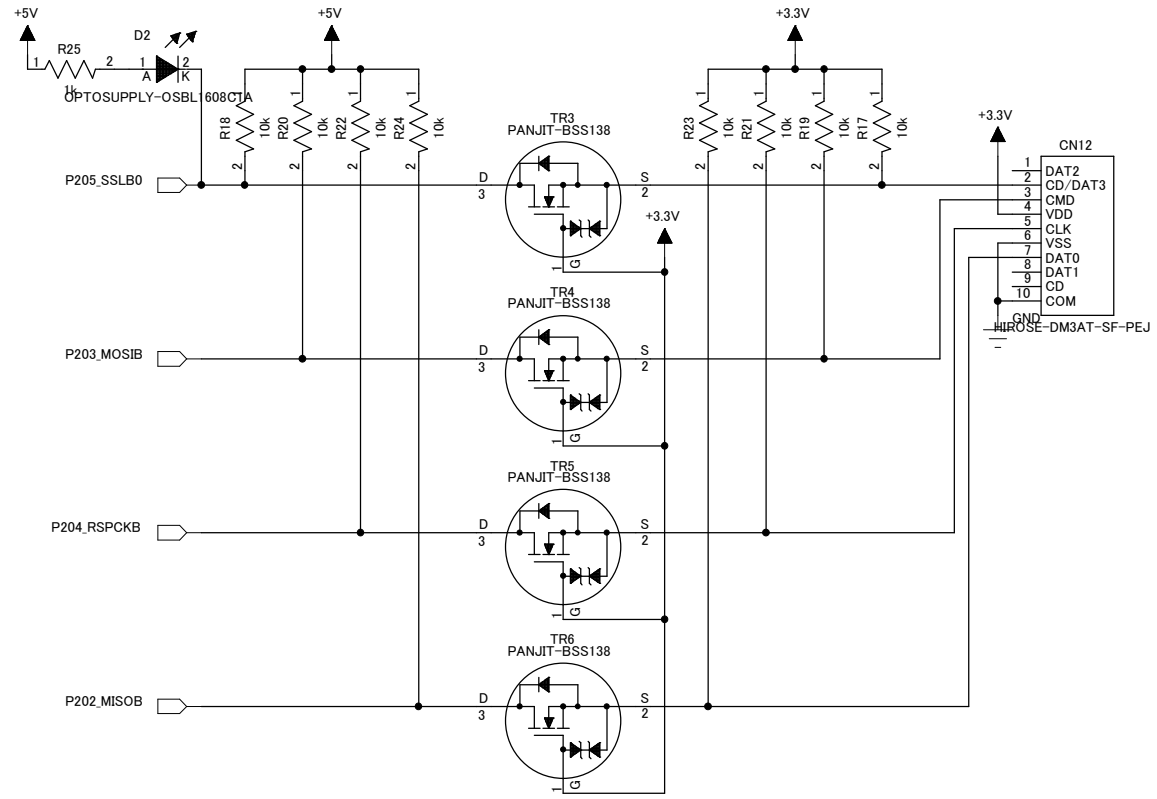
C

B

B

A

A



COMPANY: TAKUMI-ENGINEERING		
TITLE: RMC-RA4M1		
SHEET: 4 OF 5	DRAWING NO: 0001	REV: 2.0

6

5

4

3

2

1

D

D

C

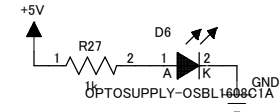
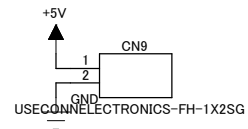
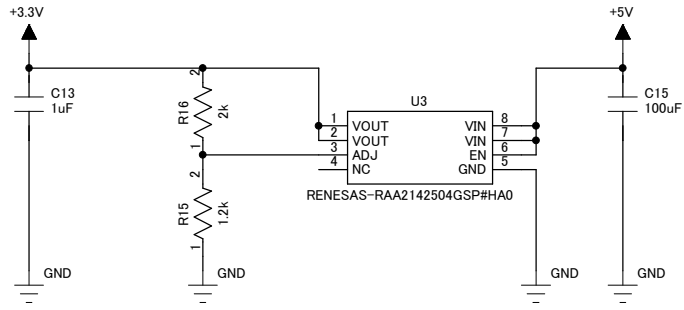
C

B

B

A

A



COMPANY: TAKUMI-ENGINEERING		
TITLE: RMC-RA4M1		
SHEET: 5 OF 5	DRAWING NO: 0001	REV: 2.0